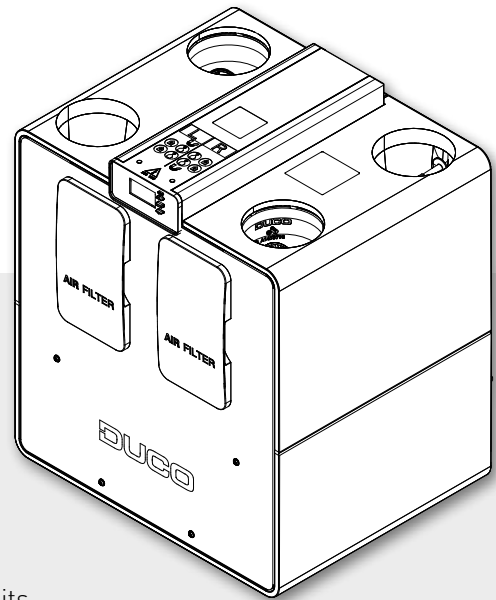


TECHNICAL DATA SHEET

DucoBox Energy Comfort D250 (UK)



The DucoBox Energy Comfort D250 is the **most compact Mechanical Ventilation with Heat Recovery (MVHR)** unit within the gamut of The Energy Family.

The 100 % software-based L/R exchange, smart demand control based on CO₂ and humidity, and automatic calibration ensure maximum energy efficiency.

The 2-zone control reduces noise levels by at least 30 %. Thanks to its **quiet operation, automatic calibration, and copy function**, this unit combines maximum ease of installation with excellent living comfort—ideal for apartments and compact homes.

Versions

Type	Supply and extraction capacity at 150 Pa	Supply and extraction capacity at 200 Pa	2-zone system	Frost protection	Item number
DucoBox Energy Comfort D250 (UK)	250 m ³ /h	221 m ³ /h	Yes (external - optional)	Imbalance or external heater (optional)	0000-7075

Physical properties

Width x Height x Depth	Overall dimensions: 561 x 669 x 491 mm Box dimensions: 561 x 600 x 451 mm
Casing	Coated sheet steel + EPP
Colours	White + black
Connections	Inner diameter: Ø 125 mm
Condensate drain	Ø 32 mm (1 ¼ in) [2x]
Heat exchanger	Plastic
Material of inside section	EPP / PP / ABS
Weight	18 kg
Power cable length	2 m (from top of unit)
Mounting	Wall mounting (standard) Floor mounting using a support frame

Electrical characteristics

Maximum power	100W
Power supply	230V, 50Hz via 3-core power cable with earthed plug
Type of motor	DC
IP class	IP40
Energy conversion efficiency	89.5% (EN 13141-7)

Miscellaneous characteristics

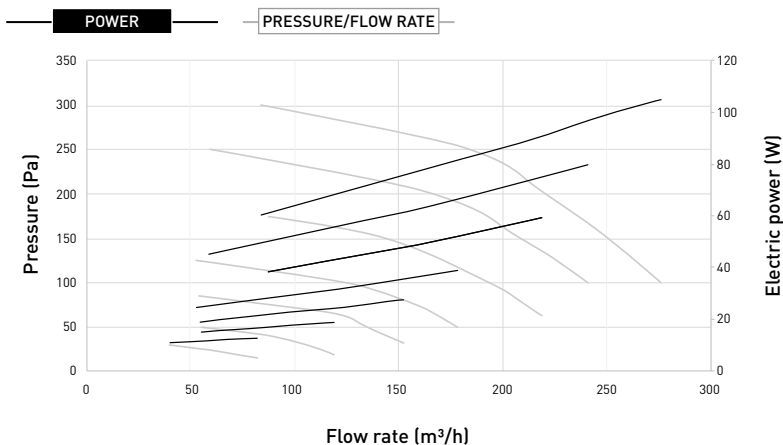
Energy class	With 2 sensors (control factor 0,65): A+ Other: A
Filters	Supply air: Standard: ISO 16890 Coarse 65% (=G4) Optional: ISO 16890 ePM1 55% (=F7) Exhaust air: Standard: ISO 16890 Coarse 65% (=G4)
Fans	EC fan with forward-curved blades
Automatic calibration	Yes (Constant Pressure & Constant Flow)
Installer App	Via Duco Connectivity Board (if permanently mounted) Via Duco Installation Kit (mobile application)
Passive cooling	Automatic passive cooling control via "NightBoost" function
Operation	Integrated Display Use via remote controls and Humidity Sensors Optional via smartphone/tablet (provided Duco Connectivity Board in device)
Sensors	Integrated: pressure, temperature, onboard, switch sensor External: CO ₂ (via optional Room sensor), Humidity (via optional Room sensor or measurement in ETA duct), external Switch Sensor (voltage-free input) (optional)
Communication	Standard Duco RF, Duco Wired, Switch Sensor Expandable with Duco Connectivity Board: Modbus TCP (local), REST API (local or via cloud) - both via Ethernet or Wi-Fi

Pressure/flow characteristics

Flow rate (m ³ /h)	Pressure (Pa)	Electric power* (W)
223	200	91
200	200	80
150	200	59
237	175	95
200	175	74
150	175	54
250	150	100
200	150	70
150	150	49
200	100	58
150	100	39
100	100	28

* The values mentioned are an estimate and cannot be used as substantiation.

DucoBox Energy Comfort D250



Acoustic properties

Standards: ISO 5135:2020

Fan speed	Test mode	Inductive sound power levels, dB relative to 1 rpW									
		Octave band frequencies, Hz								LwA	SPM @ 3m
		63	125	250	500	1k	2k	4K	8K		
100%	Supply	84,9	77,5	74,0	63,8	60,8	56,3	48,0	41,8	68,8	51,3
	Extract	68,0	64,8	57,5	47,2	43,0	39,1	31,8	24,8	54,2	36,7
	Breakout	51,6	49,7	54,5	52,0	48,3	46,2	42,3	33,1	54,2	36,7
80%	Supply	74,4	70,0	69,5	60,2	57,1	52,4	42,5	35,4	64,1	46,6
	Extract	66,4	60,1	53,7	43,8	39,4	34,4	26,7	24,2	50,3	32,8
	Breakout	49,1	46,9	50,1	47,9	44,7	41,4	36,5	26,7	49,9	32,4
60%	Supply	72,7	65,2	61,6	52,3	50,4	40,8	30,0	24,7	56,8	39,3
	Extract	60,9	51,9	46,3	38,1	35,2	26,2	21,5	24,1	43,6	26,1
	Breakout	40,1	38,9	45,2	40,7	38,1	31,9	25,0	24,2	43,0	25,5
40%	Supply	66,6	51,9	47,4	40,8	37,3	25,1	20,6	24,0	44,6	27,1
	Extract	54,0	40,0	32,8	29,2	22,3	19,6	20,5	24,1	32,8	15,3
	Breakout	32,7	32,1	32,0	35,4	28,8	21,3	20,5	24,0	34,6	17,1
20%	Supply	54,1	39,4	34,7	27,5	25,8	20,1	20,5	24,0	33,2	15,7
	Extract	48,1	36,9	33,3	24,4	20,6	19,1	20,5	24,1	31,1	13,6
	Breakout	35,8	28,0	35,6	23,1	22,6	19,0	20,4	24,1	31,6	14,1

Systems with rigid ductwork only SAP 2005 results

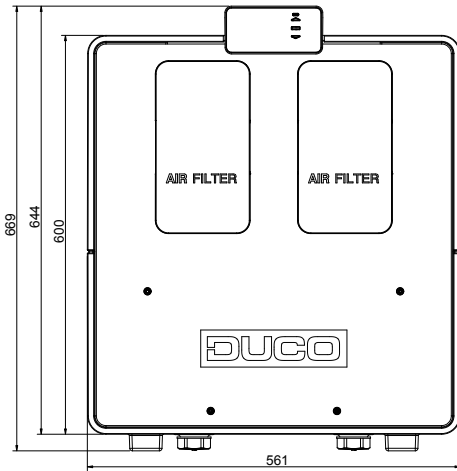
Exhaust terminal configuration	Specific power of fan (W/l/s)	Heat exchange efficiency (%)
Kitchen + 1 additional wet room	0,68	92
Kitchen + 2 additional wet rooms	0,61	91
Kitchen + 3 additional wet rooms	0,64	90
Kitchen + 4 additional wet rooms	0,71	89
Kitchen + 5 additional wet rooms	0,80	89
Kitchen + 6 additional wet rooms	0,92	88
Kitchen + 7 additional wet rooms	1,07	87

Systems with rigid ductwork only SAP 2012 results

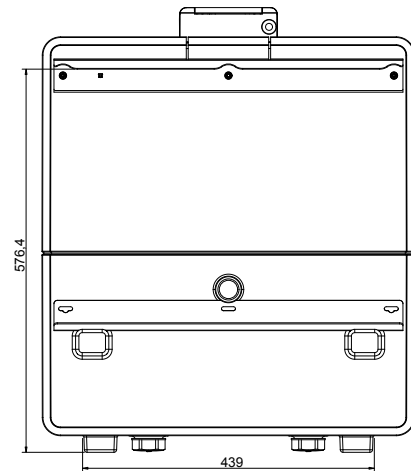
Exhaust terminal configuration	Specific power of fan (W/l/s)	Heat exchange efficiency (%)
Kitchen + 1 additional wet room	0,64	91
Kitchen + 2 additional wet rooms	0,68	90
Kitchen + 3 additional wet rooms	0,76	89
Kitchen + 4 additional wet rooms	0,93	88
Kitchen + 5 additional wet rooms	1,11	87
Kitchen + 6 additional wet rooms	1,37	87

Dimensions DucoBox Energy Comfort D250 (uk)

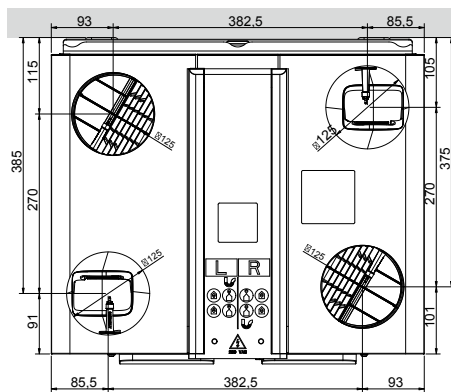
Front view



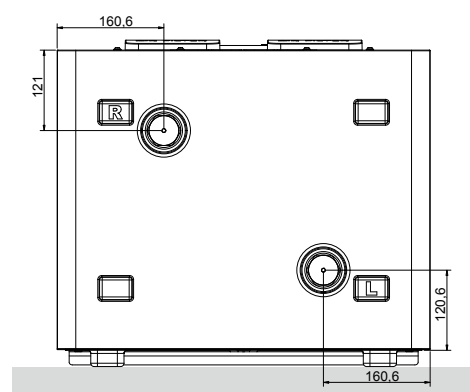
Rear view



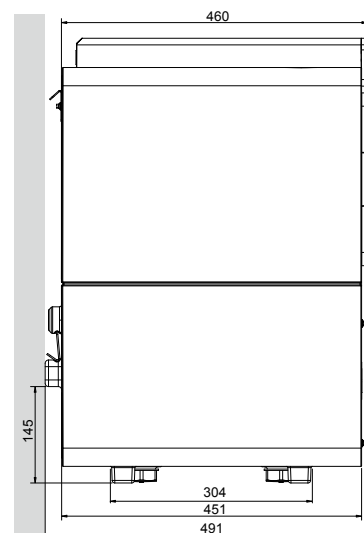
Top view



Bottom view



Side view



Optional accessories

Product	Item number
Siphon Flat (Energy)	0000-4376
Duco Connectivity Board 2.0	0000-4945
Humidity Box Sensor Energy Comfort	0000-4723
Mounting chair standing (Energy Comfort (Plus) D250)	0000-7134
Filter set 2 x Coarse 65 % (Energy Comfort (Plus) D250)	0000-7132
Filter set Coarse 65 % / ePM1 55 % (Energy Comfort (Plus) D250)	0000-7133
Set Coax cable 8 m	0000-4418
Pre-Heater DucoBox Energy Comfort (Plus) 1150 W (UK)	0000-7003
External multi-zone valves	Miscellaneous
Remote controls and room sensors	Miscellaneous
(Insulated) connection piece with joint	Miscellaneous